



## **GRYPHON GH35** **Handheld Thermal Monocular Camera**

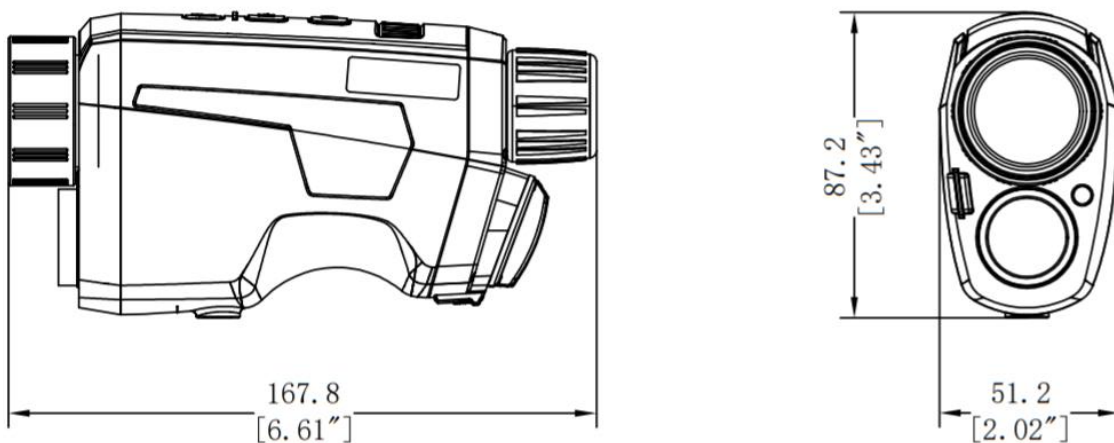
HIKMICRO GRYPHON GH35 handheld thermal monocular camera is equipped with a 384 × 288 infrared detector, a 1920 × 1080 Low illumination optical detector and a 1024 × 768 OLED display. It supports functions of observation, Wi-Fi hot spot, hot tracking, bi-spectrum image fusion, and so on. The monocular is mainly applied to scenarios such as patrolling, law enforcement, search and rescue, narcotic enforcement, anti-smuggling, tracing and arresting, hiking, and travel, etc.

### **Key Features**

- 384 × 288 resolution, high sensitivity detector
- 3D DNR
- 1920 × 1080 resolution
- Built-in rechargeable lithium battery
- Up to 5 hours continuous running
- Wi-Fi hot spot
- Type-C Interface

### **Dimensions**

Unit: mm [Inch]



+44 (0)7920 101 555 info@ndhdefence.com www.ndhdefence.com

Ottershaw - Surrey - England

