



## **GRYPHON GQ50L** **Handheld Thermal Monocular Camera**

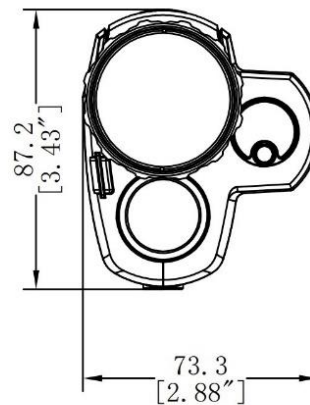
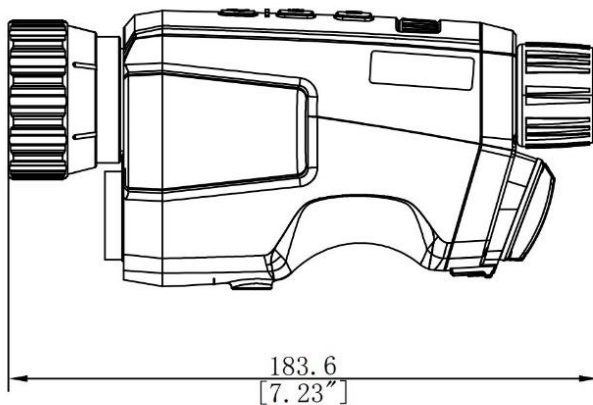
HIKMICRO GRYPHON GQ50L handheld thermal monocular camera is equipped with a 640 × 512 infrared detector, a 1920 × 1080 low illumination optical detector and a 1024 × 768 OLED display. It supports functions of observation, Wi-Fi hot spot, hot tracking, bi-spectrum image fusion, laser distance measurement, and so on. The monocular is mainly applied to scenarios such as patrolling, law enforcement, search and rescue, narcotic enforcement, anti-smuggling, tracing and arresting, hiking, and travel, etc.

### **Key Features**

- 640 × 512 resolution, high sensitivity detector
- 3D DNR
- 1920 × 1080 resolution
- Built-in rechargeable lithium battery
- Up to 4.5 hours continuous running
- Wi-Fi hot spot
- Type-C Interface

### **Dimensions**

Unit: mm [Inch]



+44 (0)7920 101 555 info@ndhdefence.com www.ndhdefence.com  
Ottershaw - Surrey - England

