



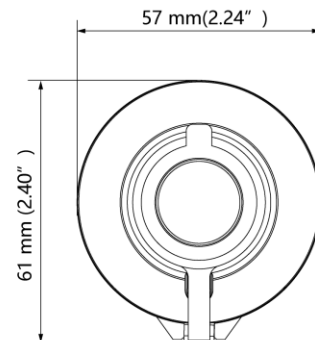
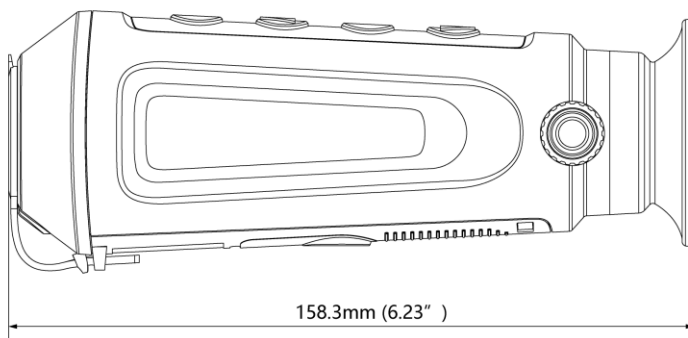
LYNX PRO LE10 **Handheld Thermal Monocular Camera**

HIKMICRO LYNX Pro LE10 handheld thermal monocular camera is equipped with a 256 × 192 infrared detector and a 720 × 540 LCOS display. It supports functions of observation, distance measurement, Wi-Fi hot spot, and so on. The high-sensitivity built-in thermal detector provides you with clear view even in total darkness. The monocular is mainly applied to scenarios such as hunting, hiking, law enforcement, search and rescue, etc.

Key Features

- 256 × 192 resolution, 12 μm, high sensitivity detector
- Adaptive AGC, DDE, 3D DNR, NETD less than 35 mK (@ 25 °C), F# = 1.0
- 720 × 540 resolution 0.2-inch LCOS display
- Built-in rechargeable lithium battery
- Up to 8 hours continuous running
- Hot Spot
- Type-C Interface

Dimensions



Unit: mm [Inch]

+44 (0)7920 101 555 info@ndhdefence.com www.ndhdefence.com
Ottershaw - Surrey - England

