



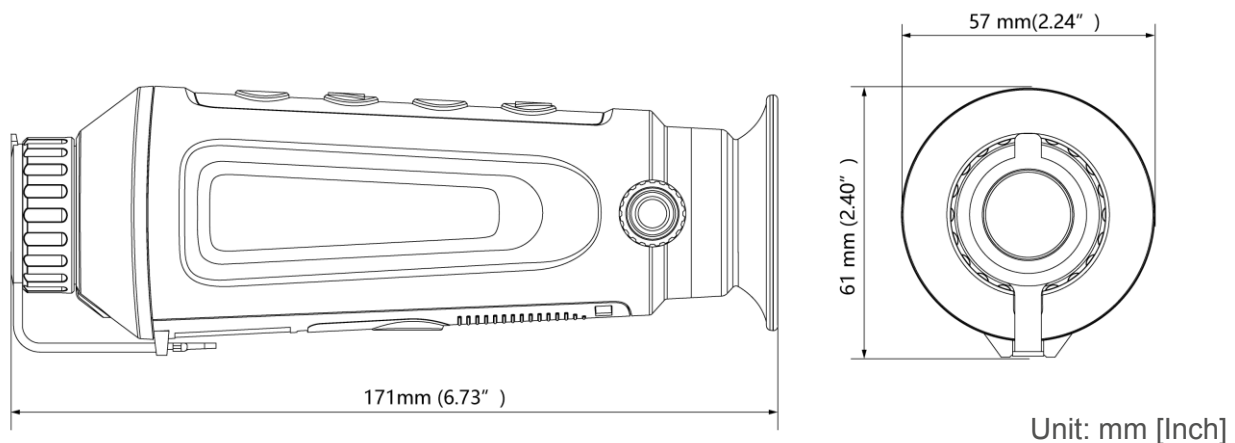
LYNX PRO LH25 **Handheld Thermal Monocular Camera**

HIKMICRO LYNX Pro LH25 handheld thermal monocular camera is equipped with a 384 × 288 infrared detector and a 1280 × 960 LCOS display. It supports functions of observation, distance measurement, Wi-Fi hot spot, and so on. The high-sensitivity built-in thermal detector provides you with clear view even in total darkness. The monocular is mainly applied to scenarios such as patrolling, search and rescue, hiking, travel, and hunting, etc.

Key Features

- 384 × 288 resolution, 12 μm, high sensitivity detector
- Adaptive AGC, DDE, 3D DNR, NETD less than 35 mk (@25°C), F#=1.0
- 1280 × 960 resolution 0.4-inch LCOS display
- Built-in rechargeable lithium battery
- Up to 7.5 hours continuous running
- Wi-Fi hot spot
- Type-C Interface

Dimensions



+44 (0)7920 101 555 info@ndhdefence.com www.ndhdefence.com
Ottershaw - Surrey - England

