



RAPTOR RQ50L **Thermal Binocular**

Powerful magnification up to 91x, up to 5.7x optical magnification in combination with 16x digital zoom.

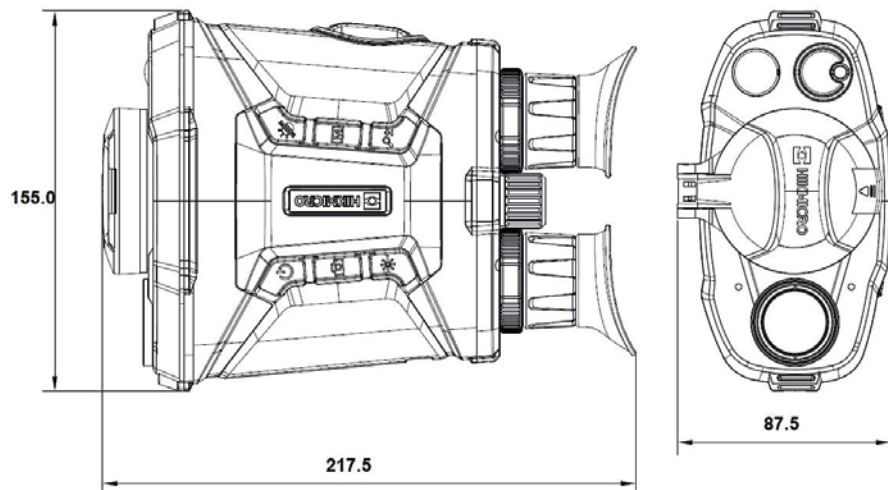
HIKMICRO RAPTOR series is a powerful and innovative handheld thermal and digital night vision binocular which adopts a 12 μm infrared thermal sensor with NETD < 20 mK sensitivity, 2560 x 1440 low illumination optical sensor with built-in adjustable IR illuminator, and a precise built-in laser rangefinder up to 1000 m measuring distance. It offers excellent image quality in true living colour or thermal during day and night observation in adverse weather conditions with up to 2600 m detection range. The binocular is mainly applied for day and night observation, hunting, hiking and search and rescue.

Key Features

- 640 × 512 resolution with 12 μm Thermal sensor
- High sensitivity thermal detector NETD < 20 mK (@25°C, F# = 1.0)
- Super large aperture f/0.9 thermal lens
- 2560 × 1440 high resolution CMOS sensor
- Built-in 850 nm IR illuminator
- Laser rangefinder, 1000 m measuring distance (with an accuracy of ± 1 m)
- Thermal detection range up to 2600 m
- Support thermal mode, optical mode, and image fusion mode
- 1024 × 768 resolution 0.39-inch OLED display
- Support PIP, GPS, DMC, Local Album, hotspot etc. intelligent features
- Support video & Snapshot recording, built-in EMMC (64 GB)

Dimensions

Unit: mm [Inch]



+44 (0)7920 101 555 info@ndhdefence.com www.ndhdefence.com

Ottershaw - Surrey - England

